



Site protection panel

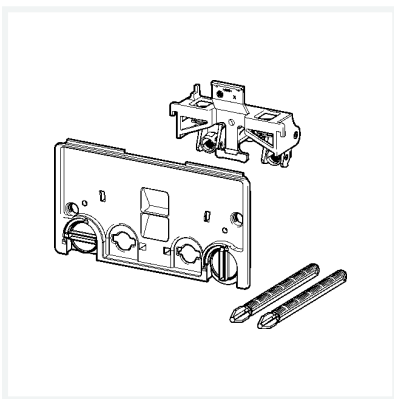
- for concealed cistern 3H, concealed cistern 3L

Components

actuation mechanism, actuating rod set, fixing bolt

Model 8580.7

Article 786 120



Properties

Weight	136 g
Volume	2930.4 cm ³
Material	plastic